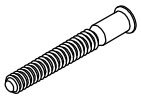
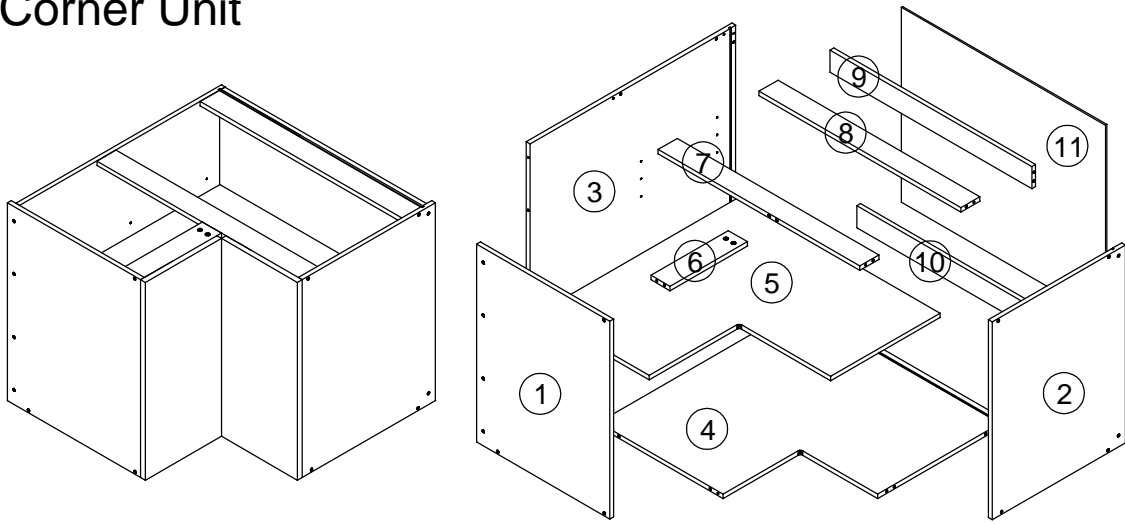
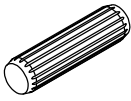


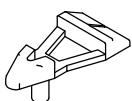
Base Corner Unit



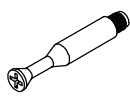
A:20pcs
 $\phi 7 \times 48 \text{mm}$



B:15pcs
 $\phi 8 \times 40 \text{mm}$



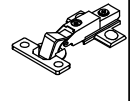
C:6pcs



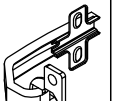
D:2pcs
 $\phi 8 \times 33 \text{mm}$



E:2pcs
 $\phi 15 \times 12 \text{mm}$

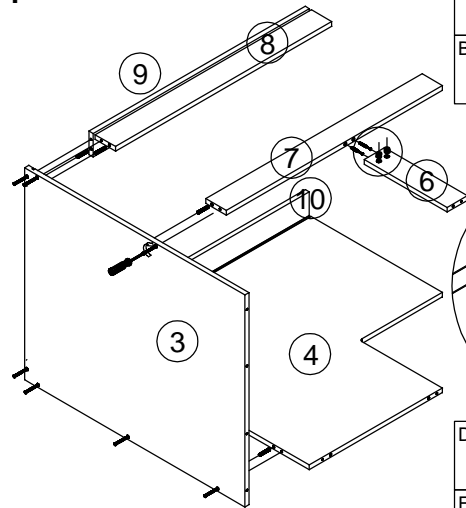


F:2pcs

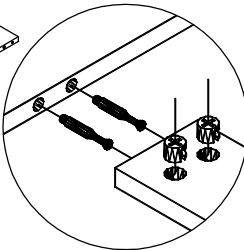


G:2pcs

1

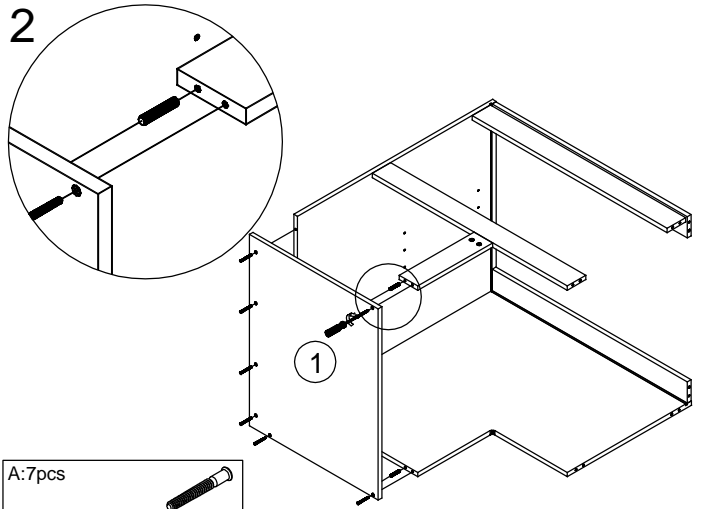


- A:7pcs
- B:6pcs



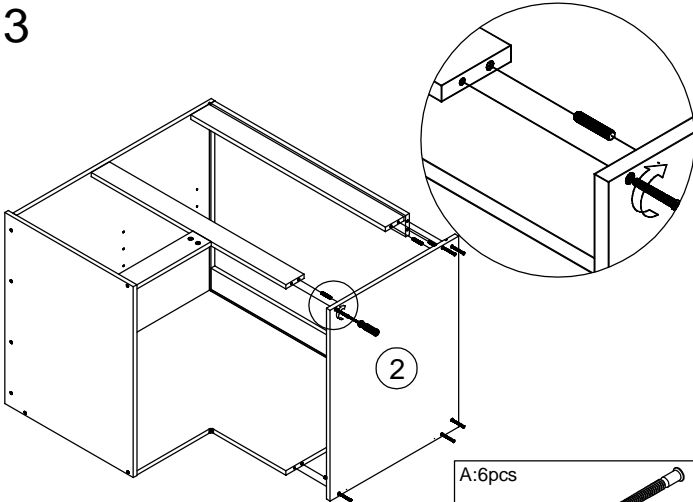
- D:2pcs
- E:2pcs

2



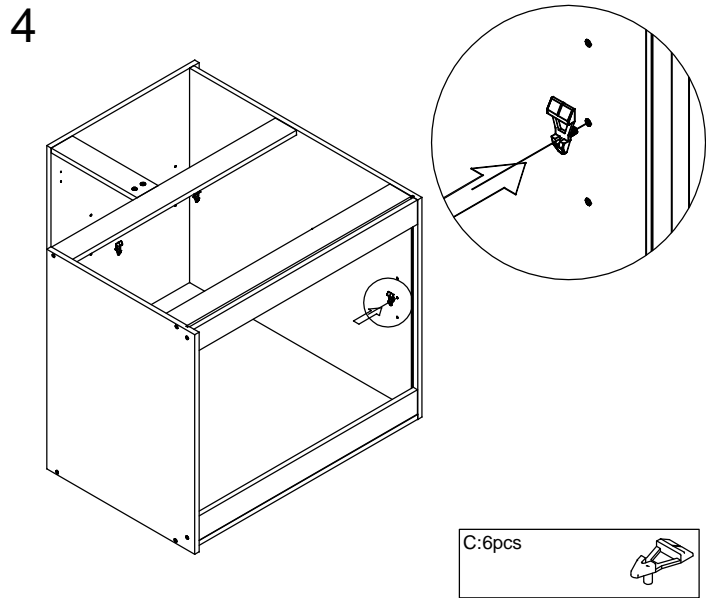
- A:7pcs
- B:3pcs

3



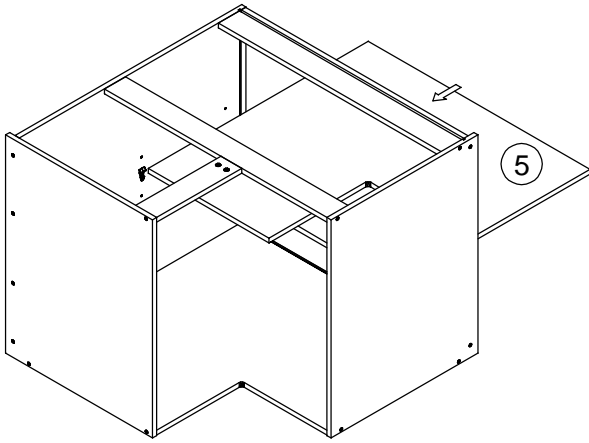
- A:6pcs
- B:6pcs

4

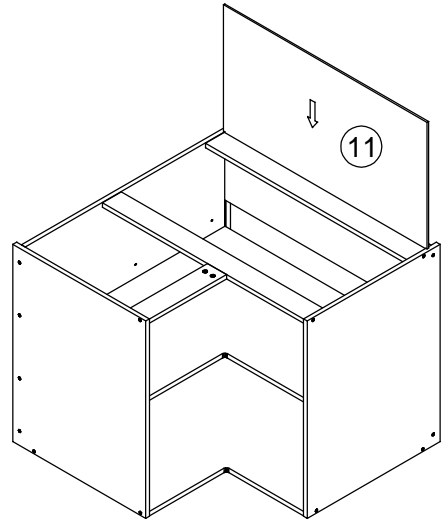


- C:6pcs

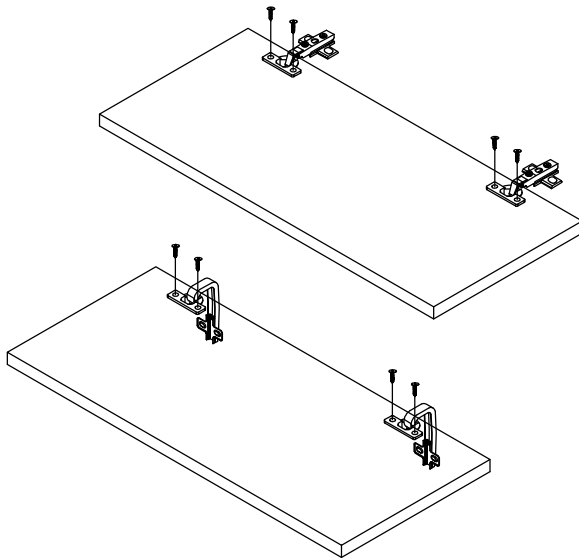
5



6



7



F:2pcs



G:2pcs



8

